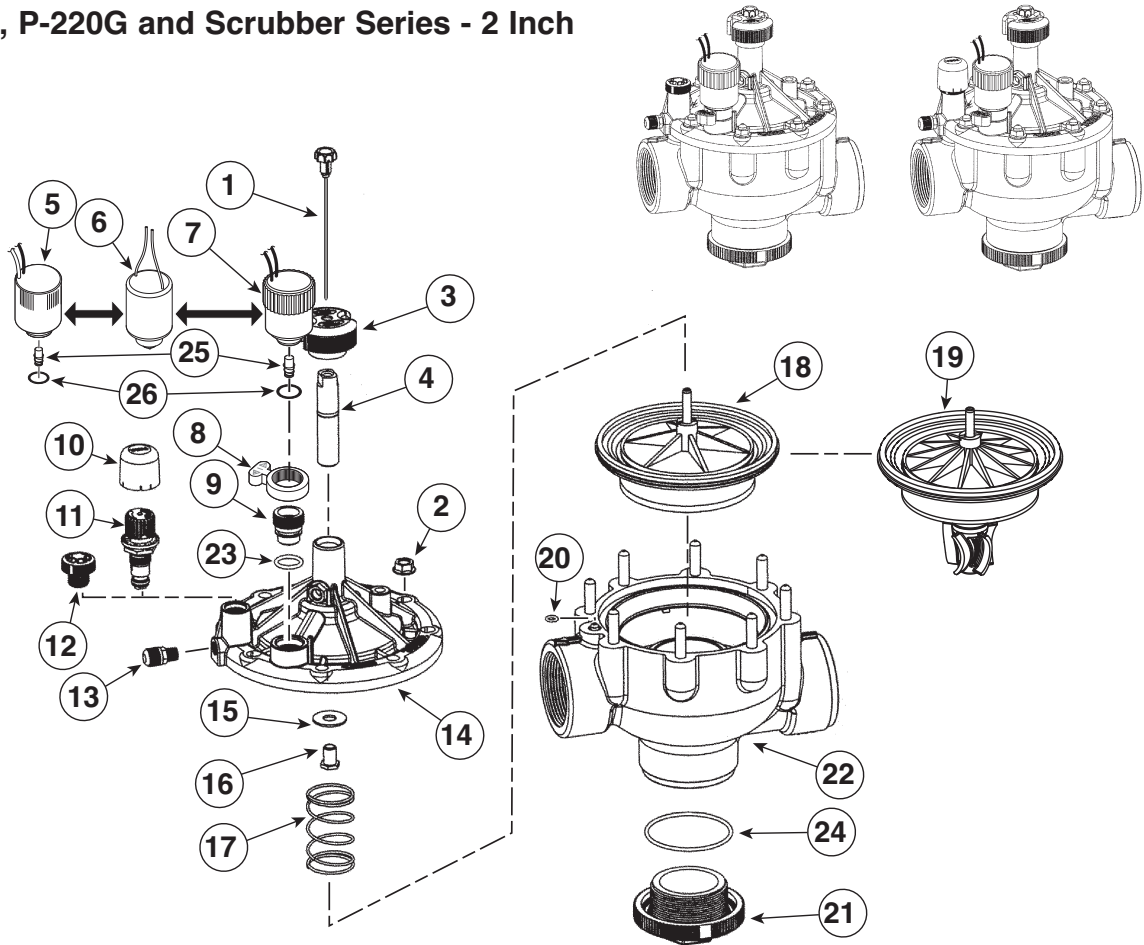


# P-220, P-220G and Scrubber Series - 2 Inch



Item No.	Part No.	Description	Quantity Per Assy.
1	102-3756	Metering Rod Assy., P-220	1
2	845102	Hex Nut, Flanged	9
3	89-9780	Handle, Flow Control	1
4	102-0967	Stem Assy., Flow Control	1
5	102-2709	Solenoid, 24 VDC, Latching (2-Wire Decoder)	1
6	102-7053	Solenoid Assy. w/ Plunger, 24 VAC, 60 Hz	1
6	102-7054	Solenoid Assy. w/ Plunger, 24 VAC, 50 Hz	1
7	102-6316	Solenoid, 60 Hz, SpikeGuard (P-220G Only)	1
8	606902	Handle, Bleed Plug	1
9	102-4787	Bleed Plug, New	1
10	835203	Cap, Vandal Resistant (Pressure Regulating Models Only)	1
11	*EZR-30	Regulator Module, 30 psi (Includes Item 10) (Pressure Regulating Models Only)	1
11	*EZR-100	Regulator Module, 100 psi (Includes Item 10) (Pressure Regulating Models Only)	1
12	89-9521	Blanking Plug Assy. (Non-pressure Regulating Models Only)	1
13	834101	Valve Assy., Schrader	1
14	102-0367	Bonnet Assy.	1
15	1126	Stem Washer	1
16	1033-H	Bushing	1
17	1041	Spring	1
18	934501	Diaphragm Assy.	1
19	-----	Diaphragm Assy., Scrubber Models Only (See item P220S-KIT-08)	1
20	1054-H	O-Ring, Body	1
21	209506-H	Plug, Body, NPT	1
21	209507	Plug, Body, BSP	1
22	-----	Valve Body Assy.	1
23	1009701	O-Ring, Bleed Plug	1
24	RS100-238-70N	O-Ring, Body Plug	1
25	89-9562	Plunger Assembly (Used in Items 5 & 7)	1
26	360-0220	O-Ring, 0.070" x 0.551" x 0.691", EL & PR (Used in Items 5 & 7)	1
		<b>SERVICE ITEMS</b>	
	102-0848	Assy., Kit, Service, 2" & 3" P-220 (Includes Items 1-3, 11-13 and 16)	
	*P220S-KIT-08	Assy., Kit, Service, 2" & 3" P-220 (Includes Items 1-3, 11-13 and 16)	
		* Order Through Finished Goods Distribution System-Minneapolis	