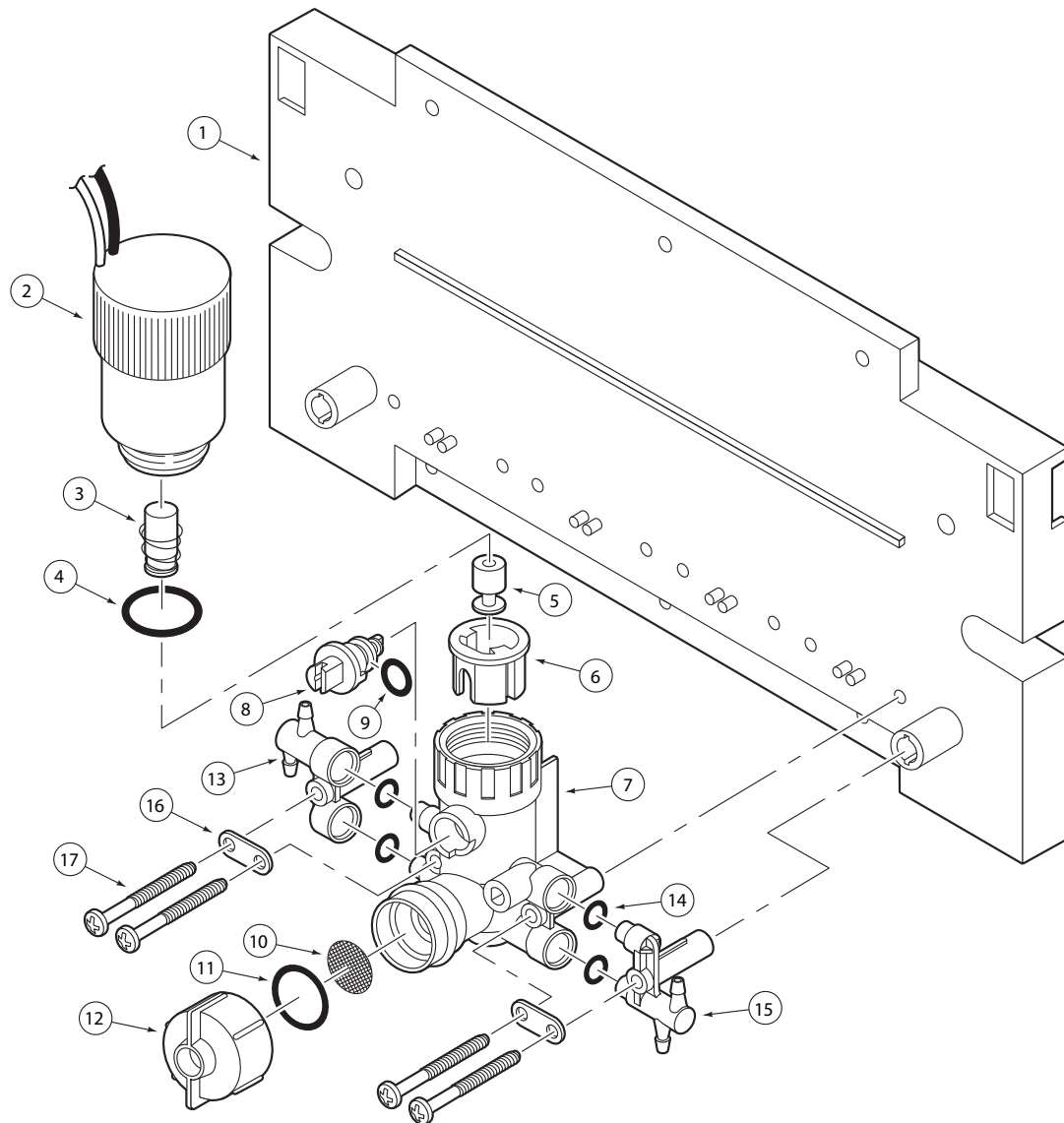


## Electric-Hydraulic Converter Module Assembly



Item No.	Part No.	Description	Quantity Per Assy.
1	89-1662	Baseplate	1
2	89-5985	Solenoid Assy.	4
3	35-4717	Plunger Assy .	4
4	360-0220	O-Ring	4
5	91-1497	Plunger, Shuttle	4
6	89-1627	Sleeve	4
7	89-8203	Body Assy., NO with Blue Pins on Actuator	4
7	89-8204	Body Assy., NC with Green Pins on Actuator	4
8	89-8131	Stem, Manual, NO (Blue)	4
8	89-8130	Stem, Manual, NC (Green)	4
9	360-0497	O-Ring	4
10	89-0371	Screen, Filter	4
11	360-0402	O-Ring	4
12	89-1635	Cap, Filter	4
12	89-8205	Cap Assy., Blind	4
13	89-1665	Tee, Female	1
14	2-9654	O-Ring	10
15	89-1666	Tee, Male	1
16	89-1675	Strap, Tie	2
17	363-3158	Screw, #6 x 1.25"	7