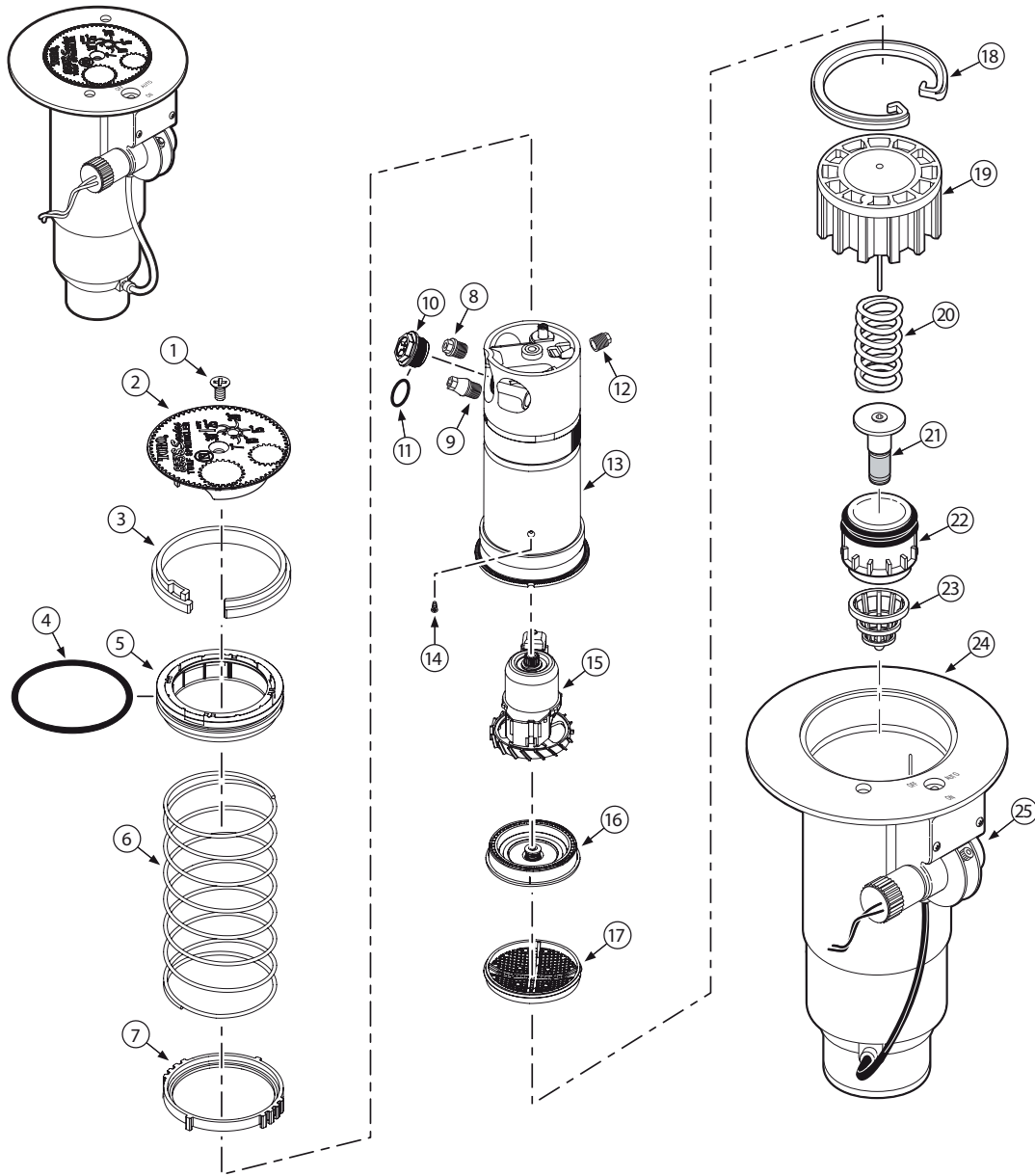
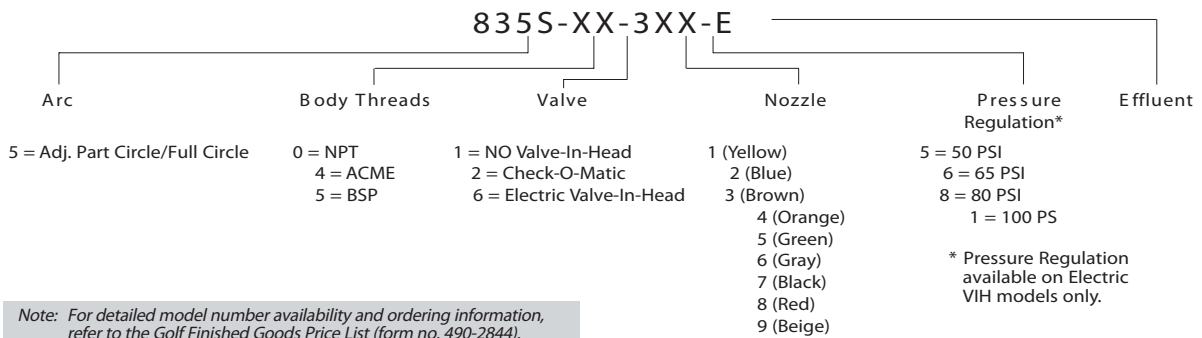


855S Series Sprinkler



Model Number Information



Note: For detailed model number availability and ordering information, refer to the Golf Finished Goods Price List (form no. 490-2844).

