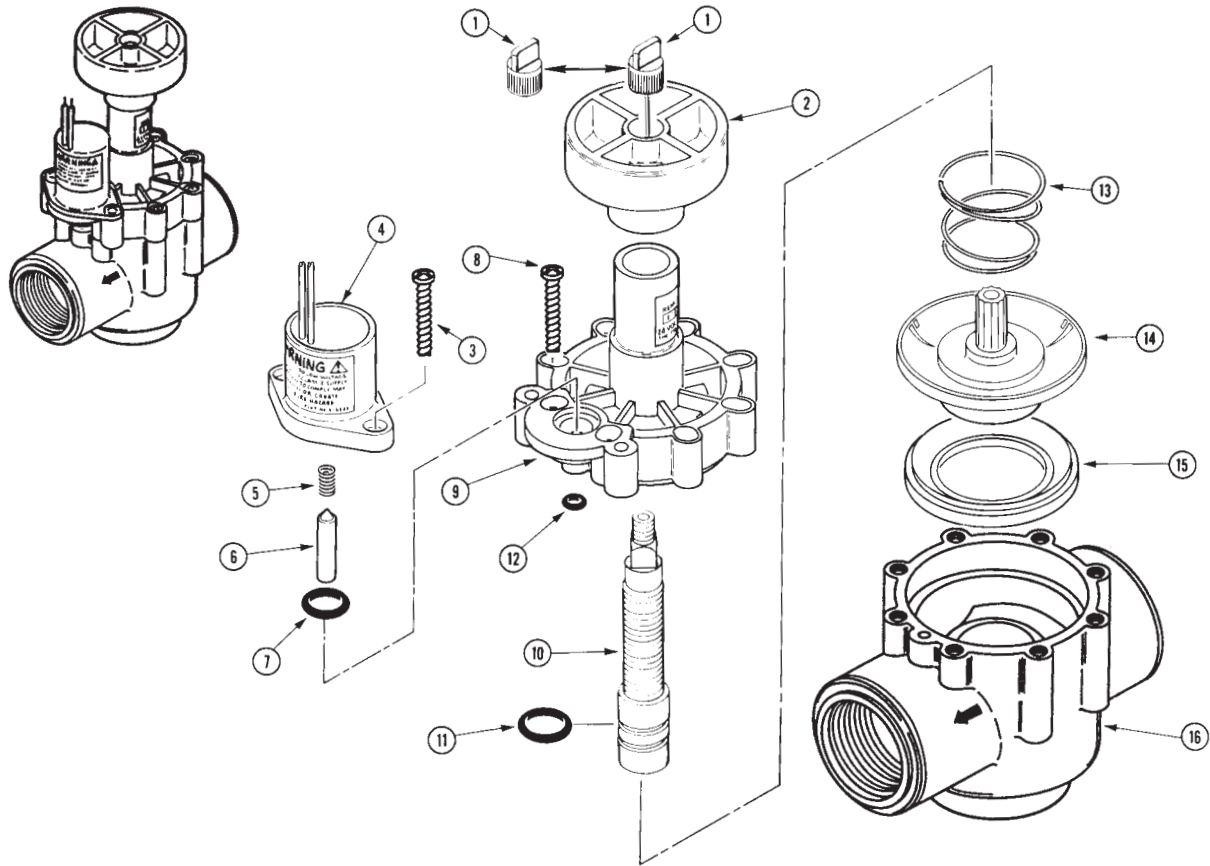
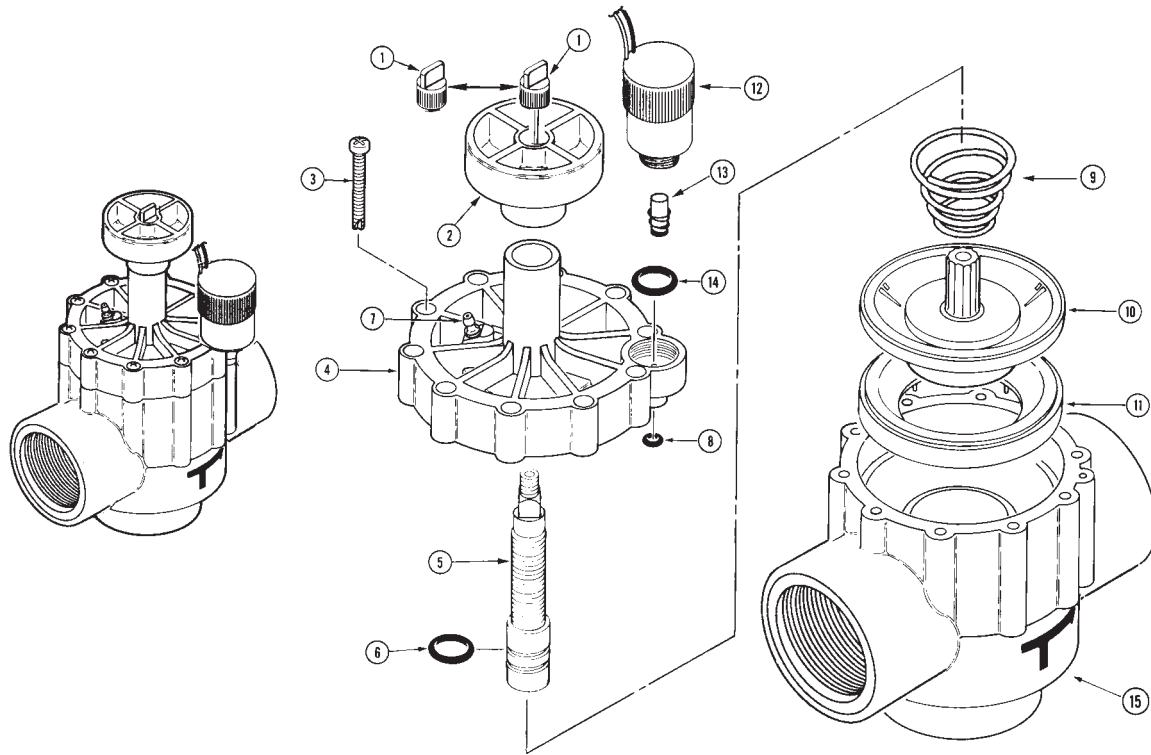


252 Series, 1 Inch



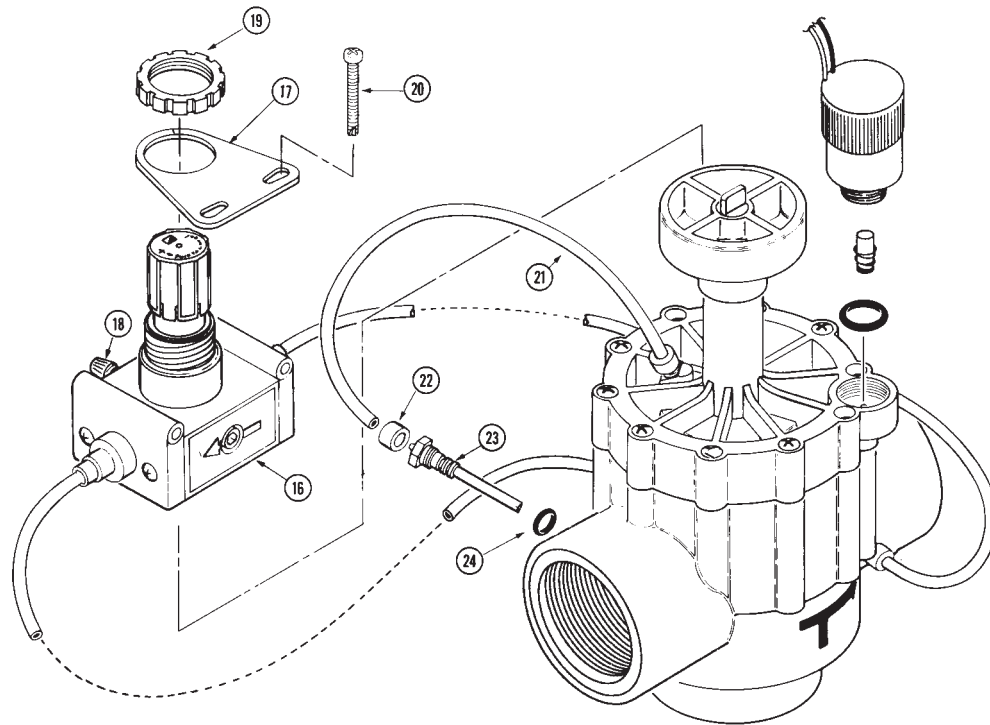
Item No.	Part No.	Description	Quantity Per Assy .
1	35-4521	Bleed Cap Assy., w/Pin, EL, Fast-closing	1
1	35-1748	Bleed Cap Assy., w/o Pin, NO & PT	1
2	35-3777	Knob, Handle Cross	1
3	363-1493	Screw, #10 x 1"	2
4	-----	Solenoid Assy. (See Service Item 89-0878)	1
5	9-6148	Spring, Plunger, Solenoid	1
6	9-6527	Plunger Assy.	1
7	2-9652	O-Ring, 7/16" x 5/8"	1
8	363-1493	Screw, #10 x 1"	8
9	-----	Cap Assy., EI, w/FC, (See Service Item 35-8182)	1
10	35-1983	Stem, Flow Control	1
11	360-0220	O-Ring, 0.070" x 0.551" x 0.691"	2
12	1-2035	O-Ring, 0.070" x 0.114" x 0.254"	1
13	9-7110	Spring, Diaphragm	1
14	35-2824	Diaphragm Assy., 1", EL	1
15	9-6331	Support, Diaphragm	1
16	9-6811	Body Assy., 1", NPT	1
16	35-1971	Body Assy., 1", BSP	1
N/I	9-7706	Plug, Pipe, 1"	1
		SERVICE ITEMS	
	89-7855	Bleed Cap Assy.,w/o Pin, NO & PT, Effluent	
	89-0878	Solenoid & Plunger Assy. (Includes Items 4-6)	
	9-8182	Cap Assy. (Includes Items 9-11)	
	35-3503	Diaphragm Assy., EL, Service Kit	
	9-5197	Screen, Filter , 3/4" (Used in 35-3503 Diaphragm Assy.)	
	35-9346	Bleed Cap Assy., w/Pin, Slow-closing	

252 Series, 1.5 Inch (Sheet 1 of 2)



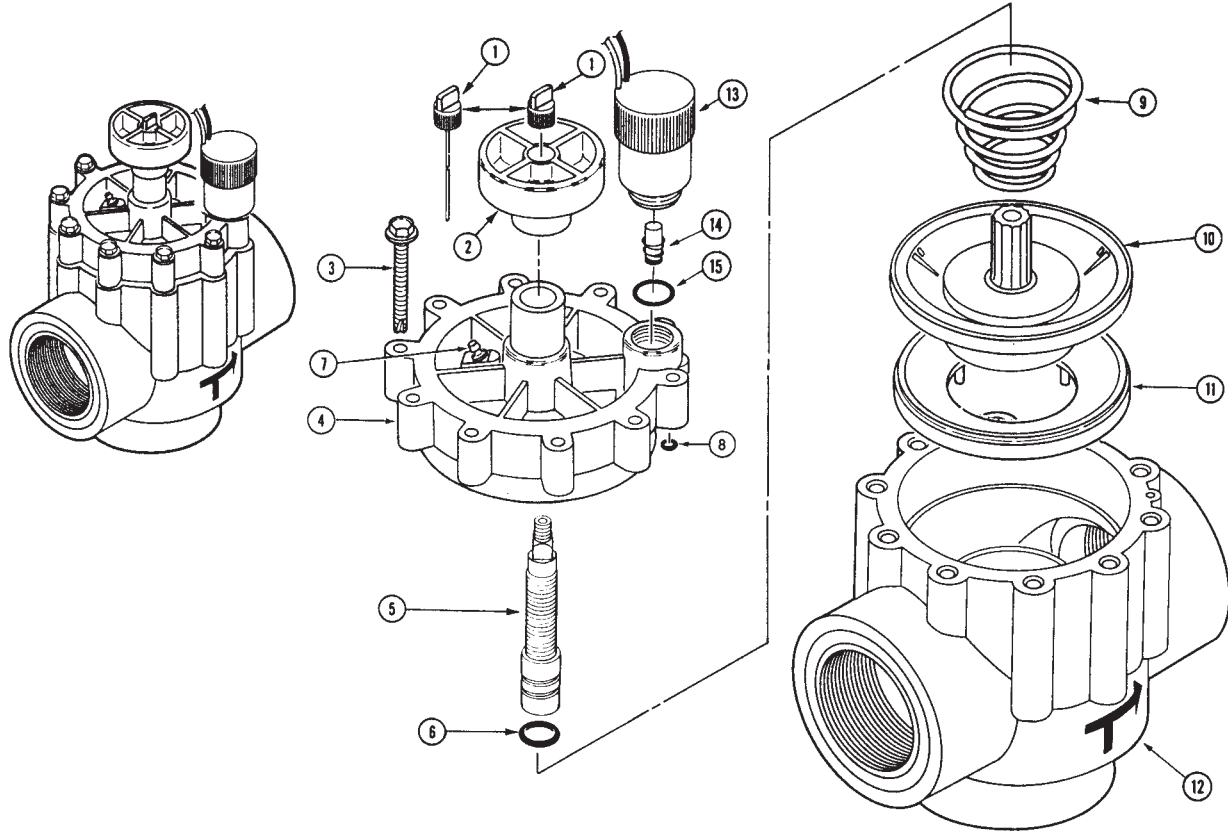
Item No.	Part No.	Description	Quantity Per Assy.
1	35-4521	Bleed Cap Assy. w/Pin, EL	1
1	35-1748	Bleed Cap, NO and PT, PR & CR	1
1	89-7855	Bleed Cap, Effluent	1
2	35-3777	Knob, Handle Cross	1
3	360-0203	Screw, Tap, #10, SST	10
4	-----	Cap, Valve, EL (See Service Items)	1
4	-----	Cap, Valve, NO & PT (See Service Items)	1
4	-----	Cap, Valve, PR (See Service Items)	1
4	-----	Cap, Valve, CR (See Service Items)	1
5	35-1983	Stem, Flow Control	1
6	360-0220	O-Ring, 0.070" x 0.551" x 0.691"	2
7	9-6791	Connector, Poly	1
8	1-2035	O-Ring, 0.070" x 0.114" x 0.254", EL, PR & CR	1
9	9-4425	Spring, Diaphragm	1
10	89-0812	Diaphragm Assy., EL	1
10	89-0814	Diaphragm Assy., PT	1
10	89-0813	Diaphragm Assy., NO, PR & CR	1
11	89-6110	Support, Diaphragm	1
12	89-1905	Solenoid Assy., EL, PR & CR	1
13	35-4609	Plunger Assy., EL, PR & CR	1
14	360-0220	O-Ring, 0.070" x 0.551" x 0.691", EL, PR & CR	1
15	9-7100	Body Assy., NO & PT, NPT	1
15	9-7238	Body Assy., EL, NPT	1
15	35-1972	Body Assy., NO & PT, BSP	1
15	35-1973	Body Assy., EL, BSP	1
15	35-4937	Body Assy., PR, NPT	1
15	35-5642	Body Assy., PR, BSP	1
15	89-4805	Body Assy., CR, NPT	1
15	89-6036	Body Assy., CR, BSP	1

252 Series, 1.5 Inch (Sheet 2 of 2)



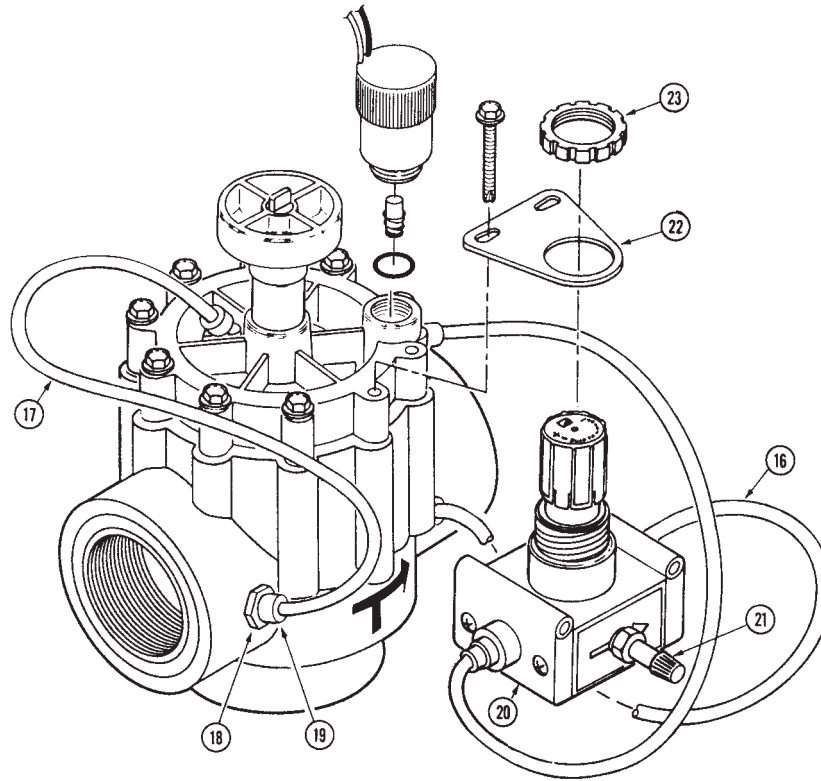
Item No.	Part No.	Description	Quantity Per Assy.
16	363-3141	Regulator, Water Pressure, Plastic Valve, PR	1
17	35-3444	Bracket, Regulator, PR	1
18	363-1762	Valve, 1/8", PR, NPT	1
19	363-1894	Nut, Regulator, PR	1
20	360-0203	Screw, #10-25 x 1-3/4", PR	2
21	9-2623	Tube, 1/4" x 8", PR & CR	3
21	9-2624	Tube, 1/4" x 11.5", CR	1
22	*900-40	Retainer, Tube, PR & CR	6
23	35-4619	Filter Assy., 1/4", Regulator, PR & CR	1
24	360-0494	O-Ring, 0.070" x 0.426" x 0.566", PR & CR	1
		SERVICE ITEMS	
	35-3099	Solenoid Assy., EL and PR & CR (Includes Items 12 & 13)	
	89-8157	Cap, Poly, NO & PT	
	2-3013	Plug, Cap	
	35-9346	Bleed Screw, Fast, 1" & 1.5"	
	35-0595	Cap Assy., Valve, EL (Includes Items 4-6)	
	35-0769	Cap Assy., Valve, NO & PT (Includes Items 4-7)	
	35-4935	Cap Assy., Valve, PR & CR (Includes Items 4-7)	
	35-4926	Regulator Assy., Plastic Valve, PR (Includes Items 16-19)	
	360-0630	Plug, Pipe, 1.5", NPT	
	89-0817	Kit, Diaphragm, 1.5", EL (Includes Items 10 & 11)	
	89-0818	Kit, Diaphragm, 1.5", NO (Includes Items 10 & 11)	
	89-0814	Kit, Diaphragm, 1.5", PT (Includes Items 10 & 11)	
	89-9453	Kit, Service, Valve, 1.5", NO (Includes Items 1, 2, 9, 10, 11 & 35-0769 Valve Cap Assy.)	
	89-3853	Kit, Service, Valve, 1.5", EL (252) (Includes Items 1, 2, 6, 8, 9, 10 & 35-0595 Valve Cap Assy.)	
	89-3892	Kit, Service, Valve, 1.5", PT (Includes Items 1, 2, 9, 10, 11 & 35-0769 Valve Cap Assy.)	
		* Order Through Finished Goods Distribution System-Minneapolis	

252 Series, 2 Inch (Sheet 1 of 2)



Item No.	Part No.	Description	Quantity Per Assy.
1	35-3892	Bleed Cap Assy. with Pin, EL	1
1	35-1748	Bleed Cap, NO, PR & CR	1
2	35-3777	Knob, Handle Cross	1
3	363-1399	Screw, Hex, Washer, 1/4-14 x 2"	10
4	-----	Cap, Valve (See Service Items)	1
5	35-1983	Stem, Flow Control	1
6	360-0220	O-Ring, 0.070" x 0.551" x 0.691"	2
7	9-6791	Connector, Poly, NO & PR	1
8	1-2035	O-Ring, 0.070" x 0.114" x 0.254"	1
9	9-6940	Spring, Diaphragm, EL, PR & CR	1
9	9-4425	Spring, Diaphragm, NO	1
10	89-0815	Diaphragm Assy., EL	1
10	89-0816	Diaphragm Assy., NO, PR & CR	1
11	9-6504	Support, Diaphragm	1
12	9-7258	Body Assy., EL & NO, NPT	1
12	35-1974	Body Assy., EL & NO, BSP	1
12	35-4943	Body Assy., PR, NPT	1
12	35-5645	Body Assy., PR, BSP	1
12	89-4807	Body Assy., CR, NPT	1
12	89-6035	Body Assy., CR, BSP	1
13	89-1905	Solenoid Assy.	1
14	35-4609	Plunger Assy.	1
15	360-0220	O-Ring, 0.070" x 0.551" x 0.691"	1

252 Series, 2 Inch (Sheet 2 of 2)



Item No.	Part No.	Description	Quantity Per Assy.
16	9-2623	Tube, 1/4" x 8", PR	1
17	9-1876	Tube, 1/4" x 12", PR and CR	2
18	35-4931	Filter Assy., Regulator, .034", PR and CR (Includes O-Ring)	1
19	*900-40	Retainer, Tube, PR and CR	4
20	363-3141	Regulator Assy., Pressure, PR	1
21	363-1762	Valve, Schrader, 1/8" NPT, PR	1
22	35-3444	Bracket, Regulator, PR	1
23	363-1894	Nut, Regulator, PR	1
		SERVICE ITEMS	
	35-3099	Solenoid Assy., EL and PR (Includes Items 13 & 14)	
	360-0631	Plug, Pipe, 2", NPT	
	35-5154	Plug, Pipe, 2", BSP	
	89-3854	Diaphragm Kit, EL 232 Valve (Includes Item 10 & 11)	
	89-3855	Diaphragm Kit, EL 232/252 Valves (Includes Item 10 & 11)	
	35-0596	Cap Assy., Valve, EL (Includes Item 4-6)	
	35-0768	Cap Assy., Valve, NO (Includes Item 4-7)	
	35-4940	Cap Assy., Valve, PR (Includes Item 4-7)	
	89-4806	Cap Assy., Valve, CR (Includes Items 4-7)	
	35-4926	Regulator Assy., Valve, Plastic, PR (Includes Items 20-23)	
	89-0806	Bleed Screw, Fast, 2"	
	360-0494	O-Ring, 0.070" x 0.426" x 0.566", PR and CR	
		* Order Through Finished Goods Distribution System—Minneapolis	